

WALL/AXIAL



Dynamic wall mount axial extract fans fitted with motorised hatch



Wall mounted axial fans with fibreglass reinforced plastic propeller with motorised opening damper. Suitable for installation in industrial buildings or commercial facilities.

Fan:

- Wall fixing flange for correct and easy installation.
- Support frame in galvanised sheet steel.
- Fibreglass reinforced polyamide-6 impeller.
- Protection grid against contacts according to UNE-EN ISO 12499.
- On models 71, the protective grille is supplied as an accessory.
- Airflow direction from motor to impeller.

Extruded aluminum hatch:

- An extremely robust structure that is able to withstand severe weather changes.
- Designed to ensure watertightness.
- Aluminum profile with thermal bridge break.
- Central ceiling and structure equipped with high performance thermal insulation.
- Thermal resistance of the assembly less than 0.89 W/m²-K.
- Position indicators in both positions (open and closed).
- Upper and lower opening mounting versions.
- Manual opening system.

- Airborne acoustic insulation value according to UNE-EN ISO 10140-2: Rw = 27 (0;-2) dB.

Motor:

- Motors with IE3 efficiency for powers equal to or greater than 0.75 kW, except single-phase, 2-speed and 8-pole.
- Class F motors with ball bearings and IP55 protection.
- Three-phase 230/400 V 50 Hz.
- Working temperature: -25 °C +60 °C.

Actuator:

- Reliability greater than 20,000 dual cycles.
- Supply voltage at 230 V AC 50/60 Hz.
- Working temperature: -25 °C +60 °C.
- Protection at the leading edge when closing the damper.
- The stop in the closed position is regulated by an electronic limit switch.

Flap finish:

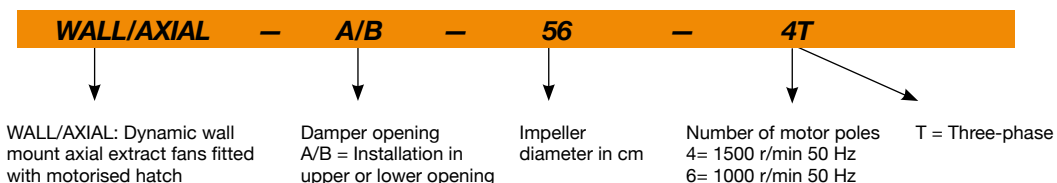
- Anti-corrosive in extruded aluminum.
- RAL 7016 supplied as standard. Any other RAL can be supplied on demand.

On request:

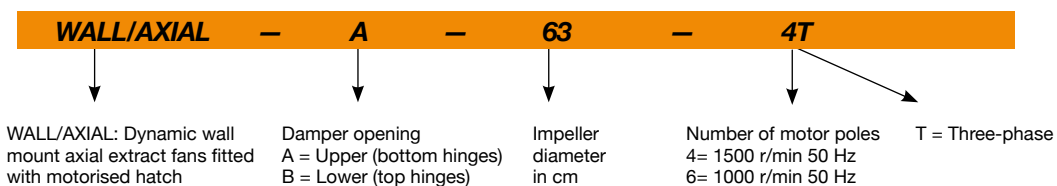
- AA: impeller-motor air direction for air entry to premises.
- Actuator with 24 V DC supply voltage.

Order code

From size 40 to size 56



From size 63 to size 71





Erp. (Energy Related Products)

Information on Directive 2009/125/EC can be downloaded from the SODECA website or the QuickFan selector programme.

Technical characteristics

Model	Speed (r/min)	Maximum admissible current (A)		Installed power (kW)	Maximum flow rate (m³/h)	Sound pressure level dB (A)		Approx. weight (Kg)
		230V	400V			Inlet	Exhaust	
WALL/AXIAL-40-4T	1350	1.66	0.96	0.25	5180	44	44	32
WALL/AXIAL-45-4T	1370	2.02	1.17	0.37	7275	49	49	36
WALL/AXIAL-50-4T	1420	2.17	1.25	0.55	10185	52	52	44
WALL/AXIAL-56-4T IE3	1455	4.07	2.34	1.10	12985	55	55	55
WALL/AXIAL-56-6T	900	2.24	1.30	0.37	8290	44	44	46
WALL/AXIAL-63-4T IE3	1455	4.07	2.34	1.10	16455	59	59	80
WALL/AXIAL-63-6T	900	2.24	1.30	0.37	12340	49	49	71
WALL/AXIAL-71-4T IE3	1440	5.41	3.11	1.50	22170	63	63	92
WALL/AXIAL-71-6T IE3	940	3.36	1.93	0.75	17325	51	51	88

1. The noise level values are pressures in dB(A) measured at a distance of 10 metres in a free field.

Acoustic characteristics

The values given are obtained under laboratory conditions according to ISO 3744.

Sound power spectrum Lw(A) in dB(A) per Hz frequency band

Values measured at inlet with maximum flow rate

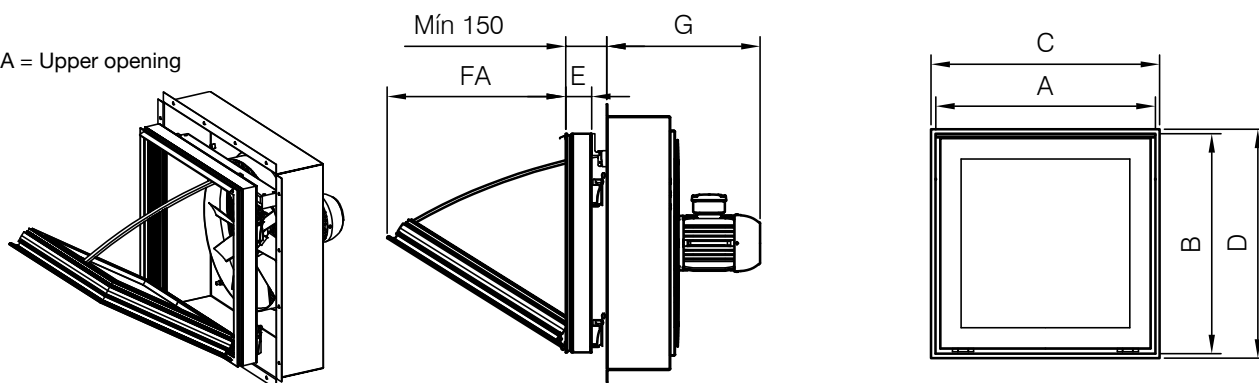
	63	125	250	500	1000	2000	4000	8000
40-4T	28	45	57	65	70	70	66	59
45-4T	33	50	63	70	75	76	71	64
50-4T	36	53	66	73	78	79	74	67
56-4T IE3	39	56	69	76	81	82	77	70
56-6T	28	45	58	65	70	71	66	59
63-4T IE3	43	60	73	80	85	86	81	74
63-6T	33	50	63	70	75	76	71	64
71-4T IE3	47	64	77	84	89	90	85	78
71-6T IE3	35	52	65	72	77	78	73	66

Values measured at exhaust with maximum flow rate

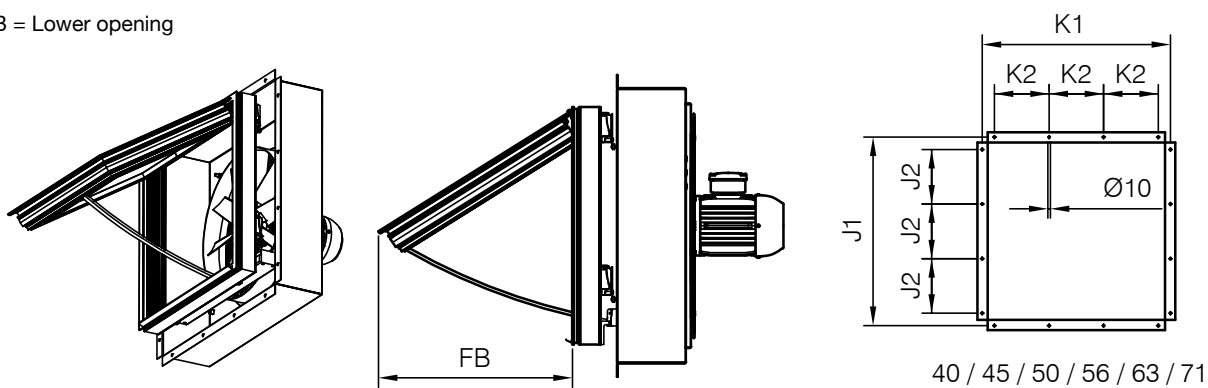
	63	125	250	500	1000	2000	4000	8000
40-4T	28	45	57	65	70	70	66	59
45-4T	33	50	63	70	75	76	71	64
50-4T	36	53	66	73	78	79	74	67
56-4T IE3	39	56	69	76	81	82	77	70
56-6T	28	45	58	65	70	71	66	59
63-4T IE3	43	60	73	80	85	86	81	74
63-6T	33	50	63	70	75	76	71	64
71-4T IE3	47	64	77	84	89	90	85	78
71-6T IE3	35	52	65	72	77	78	73	66

Dimensions mm

A = Upper opening



B = Lower opening



	A	B	C	D	E	FA	FB	G	J1	J2	K1	K2
WALL-AXIAL-40	640	590	650	600	82	460	460	400	740	200	740	200
WALL-AXIAL-45	640	590	650	600	82	460	460	405	740	200	740	200
WALL-AXIAL-50	690	690	700	700	82	551	551	455	830	220	830	220
WALL-AXIAL-56	690	690	700	700	82	551	551	485	880	220	880	220

(C x D) Nominal size of the wall opening.
 FA is the opening when the damper is upper opening.
 FB is the opening when the damper is lower opening.

Accesorios



INT



VSD3/A-RFT
- VSD1/A-RFM



AET



R



RI

Characteristic curves

Q= Flow rate in m³/h, m³/s and cfm

Pe= Static pressure in mm H₂O, Pa and inwg

